

Orbotech Infinitum™ 10/10XT

The New Way of R2R Imaging



Orbotech Infinitem 10/10XT

Orbotech Infinitem 10/10XT is a groundbreaking roll-to-roll direct imaging solution for mass production of flex PCBs.

Driven by KLA's breakthrough Drum Direct Imaging (DDI)™ technology, Orbotech Infinitem 10/10XT enables optimal material handling and high-speed imaging delivering extremely high yield and throughput.

This new solution leverages KLA's field-proven Large Scan Optics (LSO)™ technology and MultiWave Laser™ technology to ensure superior line quality and high accuracy for even the most delicate flex materials.

Orbotech Infinitem 10/10XT is an all-in-one, compact and closed innovative solution, ensuring superior performance and optimal efficiency



Benefits

Optimal Material Handling, Superior Yield

- Innovative drum-based solution for best material placement
- Controlled low-tension material movement preventing distortions
- Integrated automated cleaning mechanism eliminating particles

Fast Throughput, High Capacity

- High-speed imaging enabled by continuous exposure on a rotating drum
- High imaging efficiency with on-the-fly target registration
- Maximized uptime with quick job and roll changeovers

Outstanding Imaging Quality

- Superb fine line structure and uniformity enabled by continuous exposure and high depth-of-focus (DOF)
- Compatible with a wide range of resists and processes enabled by simultaneous multiwave exposure
- Automatic material distortion compensation mechanism for high positioning accuracy

Compact and User-Friendly

- One-box, minimal footprint solution for extreme efficiency and cleanliness
- Highly intuitive, user-friendly GUI ensuring smooth operation
- Unique design enabling easy roll exchange



Technologies



DDI™ Technology

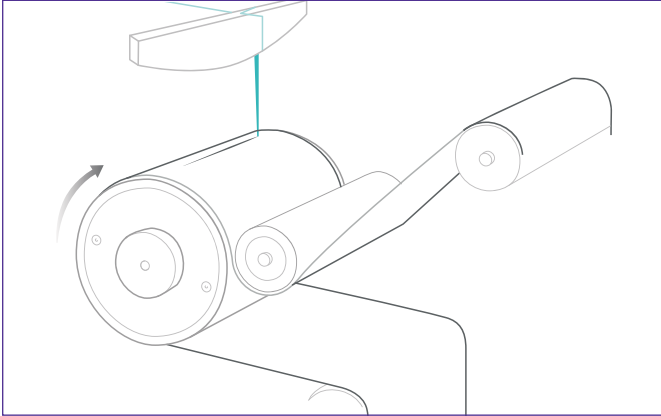


LSO™ Technology



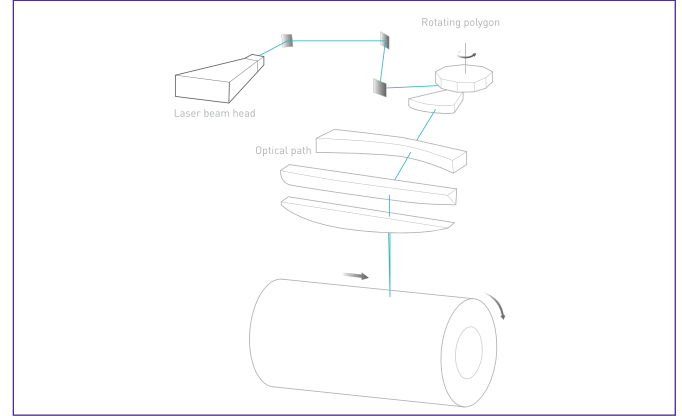
MultiWave Laser™ Technology

High-Capacity, Drum-based DI R2R



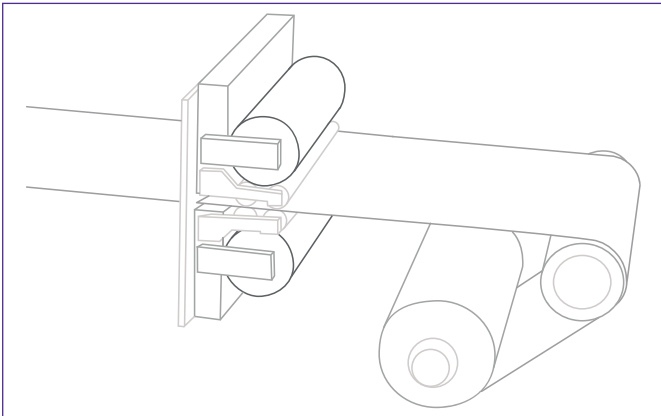
Continuous, unidirectional and constant drum rotation for high throughput and perfect material handling enabled by KLA's new DDI™ technology

High Imaging Quality



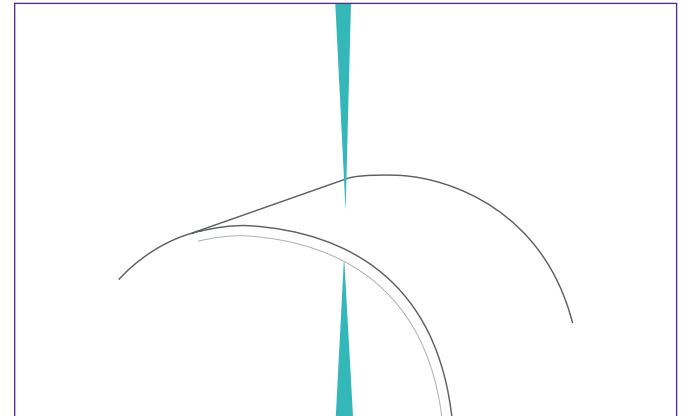
Superior line structure in a single scan enabled by KLA's LSO™ technology

High Cleanliness



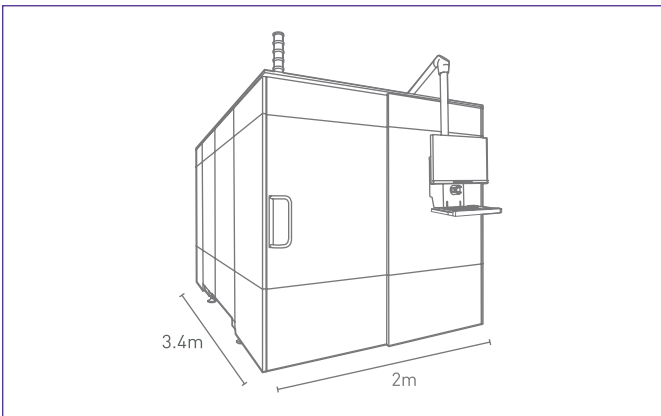
Integrated, automated cleaning mechanism

High Line Uniformity



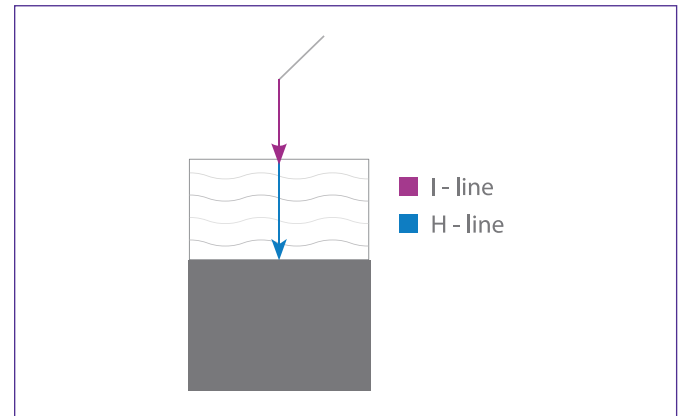
Line precision and uniformity enabled by high depth of focus (DOF)

All-in-One Compact Design



One-box, minimal footprint for maximum efficiency

High Resists Flexibility



Compatibility with a wide range of resists and processes driven by KLA's MultiWave Laser™ technology

Specifications

	Orbotech Infinitem 10	Orbotech Infinitem 10XT
Roll Width	250 - 260mm	250 - 520mm
Maximum Exposure Width	260mm	520mm
Minimum Line/Space*	10/15 μ m	
Registration Accuracy (FtG)	\pm 10 μ m	
Imaging Energy Range	10 - 1,000mj/cm ²	
Maximum Roll Weight	50Kg	
Maximum Roll Diameter	300mm	
Applications	Flex R2R - Single-Sided, Double-Sided, Multi-Layer	
System Dimensions	3.4m x 2.0m x 2.4m	

*Depends on photoresist properties

KLA SUPPORT

Maintaining system productivity is an integral part of KLA's yield optimization solution. Efforts in this area include system maintenance, global supply chain management, cost reduction and obsolescence mitigation, system relocation, performance and productivity enhancements, and certified tool resale.

© 2022 KLA Corporation. All rights reserved worldwide. KLA reserves the right to change the hardware and/or software specifications without notice. Orbotech is a registered trademark of Orbotech Limited, a KLA company. KLA and the KLA logo are registered trademarks of KLA Corporation. All brands or product names may be trademarks of their respective companies.

KLA Corporation
One Technology Drive
Milpitas, CA 95035
www.kla.com

Rev 5.0_3-31-2022